

24ONLINE™

INFO TECHNOLOGIES PRIVATE LIMITED



20+ Years of experience

Presence in **80+** Countries

6000+ Installation over the globe

Our Achievements

5.5 Million Subscribers Globally

250+ Channel partners

2000+ Happy Clients

WI-FI SOLUTION
for **SINGLE &**
CHAIN of HOTELS &
RESORTS

www.24onlinebilling.com



Overview

24online, has been developed and engineered to cater the advanced needs of different types of hotels all over the globe. 24online Hospitality Internet Access (HIA) is compatible to integrate with any property management system (PMS) and accommodate properties with 5-5000 rooms. And being in this industry for a while, 24online very well understands necessities and challenges of current hospitality segments and demands of guests looking for highly cost effective internet access in the hospital premises. 24online addresses the

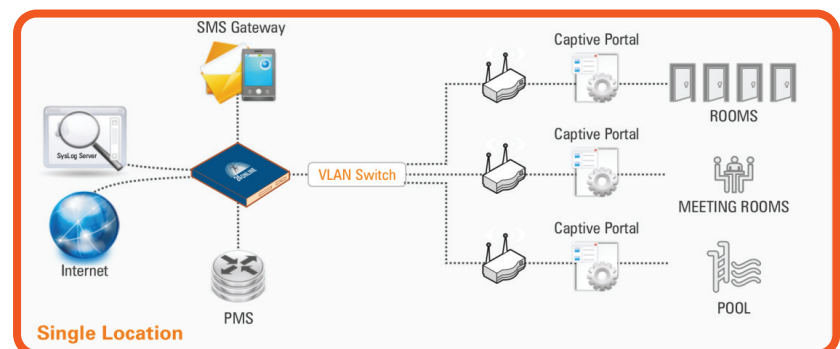
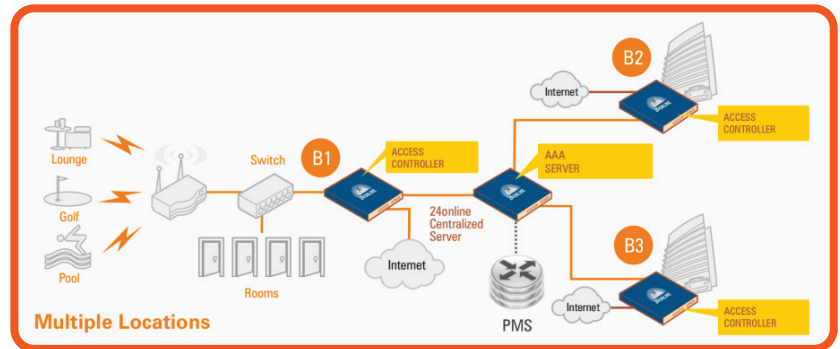


Solution Deployments

Single & multiple Location hotel Property Networks

24online meets the requirements of single and multi-location properties in need of centralized controls and common guest management interface integrated with property management system. 24online facilitates hotel admin to setup room wise and location wise internet plans for their valuable guests. 24online allows only authenticated traffic to access the network through attractive and customizable pre-n-post login pages

24online can be deployed as a stand-alone solution or distributed solution to manage multiple locations from central location. 24online centralized solution offers centralized server control, cost-effective billing, comprehensive bandwidth management and coupon based revenue generation option.



Features

Access Management

Inbuilt RADIUS server

- PAP Support
- Offers Inbuilt Database

Authentication

- Leased Line(Auto Login)
- AD / LDAP Authentication
- Voucher(Coupon) Based Authentication
- Corporate Based Authentication
- Device Based on Username & Password
- Mac Based Auto Login Interoperability
- Social Media Based Login
- SMS OTP Based Login
- OTP Based PMS User Login
- PMS User Login

Authorization

- Based on MAC and IP Address
- Re-Authorization Functionality

Accounting

- On Hours, Days, Data Transfer

*Room-To-Port Mapping

- Map Each Room with VLAN Port
- Individual IP For Each Room
- Restrict Cross Room Surfing
- No Authentication/Charging on Switch Over

Bandwidth Management

- Tiered Bandwidth Management
- Committed and Burstable bandwidth
- Individual and Shared Bandwidth quota
- Bandwidth Scheduling & Fair Usage Policy
- Restrict Users Based on Data and Bandwidth
- FireWall Based Bandwidth Management

Guest Management

- Complete User Life Cycle Management
- Account ID Based User Credentials
- Location Based Package Selection
- Supports Guest Room Change
- Demographic Field Option
- Room Based Multi-device Policy
- Guest Management based Reports
- Guest My Account
- Room Login Policy

Package Management

- Prepaid & Postpaid Packages
- Create Hourly and Day Based Plans
- Registration & Renewal Packages
- Guest check-out Based Package Option
- Create Complimentary | VIP | Business Centre Plans
- Dedicated Conference | Banquet Hall Plans
- Facilities Topup for Prepaid Plans
- Location Based Package

Internet Billing

- Hours & Day Based Billing
- Time & Quota Based Billing
- Peak & Off-peak Billing
- Pulse Based Rating
- Pre-paid & Post-paid Billing
- Customizable Multi-service invoice Template
- Tax & Discount Facility

Coupon Management*

- Branding & Customizable Coupon Templates
- Facilitates Onlin Coupon Purchase
- Instant Coupon generation In Printable formats
- Create Package & Zone Wise Coupons
- System generated Username & Passwords
- In-built Ezprint Printer Configuration
- Pin Aging-coupons with Expiry Date

Ezprint Printer*

- Support 3rd Party Thermal Printer Integration
- One Time Multiple Coupons can be Print
- Communication Interface TCP/IP

Captive Portal Capabilities

- Create Customizable Login Pages-HTTP Enabled
- Device Based Login Pages - Mobile/Laptop
- BYOD Support
- DHCP Option 82 Based Captive Portal
- Create User Self Registration Page
- Promotions and Branding Options
- Video AD Scheduling**
- SSL Based Secured Captive portal
- SSID Based Captive Portal
- QR based authentication
- Centralized captive portal
- Time-based captive portal

Multiple Gateway Load Balancing*

- Supports Multiple ISP Links
- Weight Based Round Robin Traffic Balancing
- High Connectivity Even During Peak Hours
- Immediate Auto-Failover Detection
- Intelligently Redirect Traffic to Active Gateways

PMS Integrations*

- Pre-integrated Solution with 15+ PMS
- TCP IP & serial Based integration
- Guest Check-in & Check-out Details
- Supports Special Code Based Package Allocation
- Auto-Synch Facility Post Connectivity Failure
- Offers Consolidated Billing for Internet
- Supports Centralized PMS System for Multi-Location Property**
- Cloud Based PMS Supported
- Multi Hotel Multi PMS

System Management

- Seamless Roaming (Wired to Wireless)
- IP Pool Management
- Login Once
- DHCP Auto Login
- Zero Configuration
- DHCP & DNS
- SmartNAT*
- SNAT Management*
- Diagnostic Tools
- Basic Firewall System
- Walled Garden
- Swift User Migration Facility
- Data Backup and Restore
- Factory Reset
- Network Packet Capture Option for Admin
- Syslog Configurations
- IPv4 & IPv6 support
- L2TP VPN Tunneling

Administration

- Role Based Multiple Level Administration
- Console & Admin GUI (ACL)
- Change Password Options
- Multi-functionality Dashboard Facility
- Ease of Admin Interface
- Quick Configuration Options

Reporting

- Admin GUI Usage Log - Audit Reports*
- NetKapture* | Weblogger*
- Reports in CSV/Printable/Graphical/PDF
- MIS & BI Reports

Payment Gateway*

- Integrated with Major Secured Payment Gateways
- Facilities Online payment Receivables
- Flexible to Integrate with Any Payment Gateway
- Integrated with 24online Payment Tracking

Alert Management

Email Based Alerts

- Event Based Customizable email templates
- Schedule Alerts for Renewal/Package Expiry
- Alert users on In-correct Login/Failure

SMS Based Alerts*

- Click-n-configure SMS Gateway
- Integrated with 20+ SMS Gateways
- Manage, Try and Create facility
- Facilities Different Message Templates
- Send Message at Different Events-Check-in and Check-out
- Offers Complete Log of SMS Sent
- SMPP Support
- WhatsApp notification

Pop-up Window for Live Users

- Alert Users in-case of Login/Logout/Package Expiry Date
- Pop-up Live Message for Network or Technical Problems
- Bill Payment and Promotional Message

Third Party Integrations*

- CRM Integration
- Third Party Access Controller & Authentication System
- Syslog Integration
- Attribute Mapping

Web Filtering**

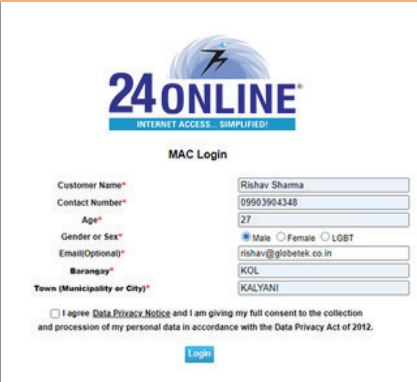


- Web Categories : Default (37+)
- Block Domains and Ports
- Protocols Supported: HTTP, HTTPS
- Block Malware, Adult Sites
- Custom Denied Message Per Web Category
- Safe Search Enforcement for Bing



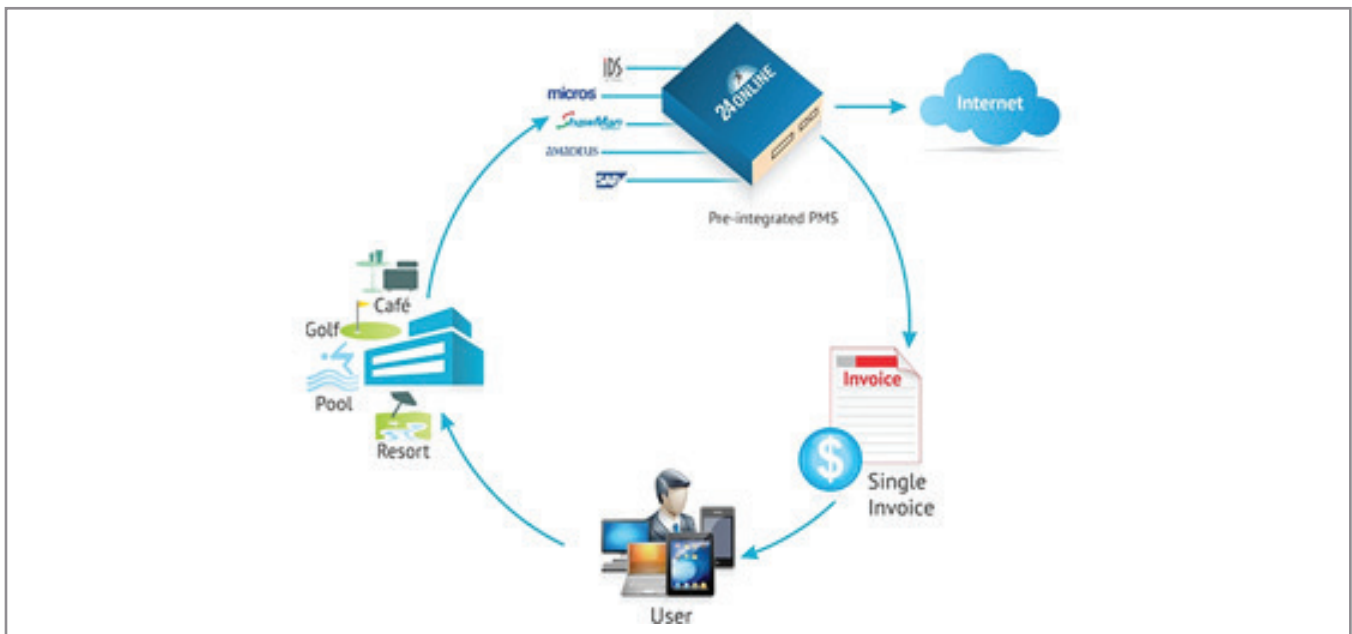
* Add-on Modules

** New Features

24Online Supports Multi-factor Authentication

MAC	OTP	SOCIAL MEDIA
 <p>24ONLINE INTERNET ACCESS... SIMPLIFIED!</p> <p>MAC Login</p> <p>Customer Name* <input type="text" value="Rishav Sharma"/> Contact Number* <input type="text" value="09903904348"/> Age* <input type="text" value="27"/> Gender or Sex* <input checked="" type="radio"/> Male <input type="radio"/> Female <input type="radio"/> LGBT Email(Optional)* <input type="text" value="rishav@globetek.co.in"/> Barangay* <input type="text" value="KOL"/> Town (Municipality or City)* <input type="text" value="KALYANI"/></p> <p><input type="checkbox"/> I agree Data Privacy Notice and I am giving my full consent to the collection and procession of my personal data in accordance with the Data Privacy Act of 2012.</p> <p><input type="button" value="Login"/></p>	 <p>24ONLINE INTERNET ACCESS... SIMPLIFIED!</p> <p>Client Registration</p> <p>Customer Name* <input type="text" value="Rishav Sharma"/> Email* <input type="text" value="rishav@globetek.co.in"/> Mobile Number* <input type="text" value="09903904348"/></p> <p><input type="button" value="GET OTP"/></p> <p><input type="text" value="5892"/></p> <p><input type="button" value="Login"/></p>	 <p>24ONLINE INTERNET ACCESS... SIMPLIFIED!</p> <p>Facebook Login <input type="button" value="LOGIN"/> 30 minutes</p> <p>Instagram Login <input type="button" value="LOGIN"/> 30 minutes</p> <p>Survey Forms <input type="button" value="LOGIN"/> 30 minutes</p> <p>STREAM tech Login <input type="button" value="LOGIN"/></p>

PMS INTEGRATION FLOW



24online PMS Integration provides an efficient property management system which houses all your data in one database where all key property management processes are fully integrated. 24online HIA is pre-integrated with well-known property management system (PMS) like Fidelio/Opera, IDS, SAP, Protel, CMS, WinHMS, RMS, Hotelier, Amadeus and Shawman etc to enable hoteliers to efficiently manage internet services in the hotel. 24online is smart enough to act on behalf of absence of PMS system. For accessing all the functions and features related to the hotel, 24online Hotel Management System module should be registered and necessary configurations were enabled. Guests have liberty to purchase internet package and access internet from any area in the hotel campus. Single invoice will be generated at check-out for guest with the help of 24online-PMS integration.



24online Centralized Management Console

MANAGEMENT CONSOLE	MANAGE LOCATION	Log out
DASHBOARD	Status	Edit Delete
USER PROFILE	Active	<input checked="" type="checkbox"/> Edit <input type="checkbox"/> Delete
LOCATION LIST	Active	<input checked="" type="checkbox"/> Edit <input type="checkbox"/> Delete
ADD LOCATION	Active	<input checked="" type="checkbox"/> Edit <input type="checkbox"/> Delete
CSV DOWNLOAD	Active	<input checked="" type="checkbox"/> Edit <input type="checkbox"/> Delete

MANAGEMENT CONSOLE	Dashboard	
DASHBOARD USER PROFILE LOCATION LIST ADD LOCATION SYSTEM STATUS	Active Status Statistics Last Check Performance 45 Location Active Last Check 5 Minutes Ago	Inactive Status Statistics Last Check Performance 2 Location inactive Last Check 5 Minutes Ago

Control Splasher

Welcome, administrator

Currently Connected Guests

Manage Walkin Pins

Checked In Guest Details

Currently Checked-In Customer Criteria

Room No.

Registration No.

Guest Name

Check-In Date Between To

Departure Date Between To

Search

- Attractive Dashboard
- 24online Console Stores All The Servers Password & Display Location-wise Server Status
- Login to All 24online Servers with Administrative Access can be Done by Single Click
- All 24online Servers can be Managed and Customized through Single Control

24online Event Management Tool

EVENT MANAGEMENT

TARGET BUDGETING SCHEDULING LOGISTICS LOCATION MARKETING COORDINATING

24online has introduced an Event Management module that allows for easy creation and management of events. This module provides all necessary information such as the event name, start and end time, conference room details, number of days for the event, and contact person's details. Each attendee will be provided with the same username and password for authentication.

● 3rd Party Integration

24online RADIUS is well integrated with MikroTik and 3rd party NAS / Access Gateway as well as 3rd party WIFI Access Point/Wireless controller.

● PMS Integration



● WI-FI Access Point /WirelessController/NAS



● SMS Gateway Integrations



● Payment Gateway Integrations



● Future Road Map



HIA Series



HIA 100iX



HIA 200iX



HIA 500iX



HIA 1000iX



HIA 1500iX



HIA 2500iX



HIA 5000iX



HIA 10000iX



HIA 10000iX Pro

Sr. No	Hardware Model	Data Throughput (Standalone-Mbps)	Data Throughput (NAS Mode-Mbps)	Concurrent Users (Standalone-No.)	Concurrent Users (NAS-No.)	Concurrent Users (RADIUS-No.)
1	100iX	250-300	350-400	100-150	200-250	350-400
2	200iX	400-450	500-550	200-250	300-350	450-500
3	500iX	500-550	600-700	500-550	600-650	1000-1100
4	1000iX	900-1200	1500	1000-1200	1500	3000
5	1500iX	1500-2000	2000-2500	1500-2000	1800-2200	8000
6	2500iX	3500-4000	4000-4500	2500-3000	3000-3500	15000
7	5000iX	5000-5500	6000-6500	5000-5500	5500-6000	30000
8	10000iX	6000	7000	10000-11000	11000-12000	45000-50000
9	10000iX Pro	10000	12000	30000	35000	70000

Market Segments

24ONLINE
INFO TECHNOLOGIES PRIVATE LIMITED

Market Segments: Healthcare, ISP/WISPs, Hotels, Enterprise, Education, Shopping Mall, Airports, Hotspots.

Clientele



About 24online

24online is a Leading Internet Access Management and Network Management Solution that Offers Wide Range of Internet Access Control and Management Solutions that Enables ISPs, Hotels, Hotspots, Airports, Educational Institutes, smart Cities etc. To simplify their Internet Network. 24online Addresses the Challenges of customer Acquisition, Secured Service Provisioning and Internet Billing, Monetization via Internet Services and Revenue Management. The Solution has Vast Experience in Catering to Varied Network Like Wired, Wi-Fi, Cloud, VAST and LTE. with More than a Decade of Experience, We Offer the World Class Solutions in the Most Cost-effective Way.



INFO TECHNOLOGIES PRIVATE LIMITED

Indo-Japan Building 4th floor, J1/12, Block EP & GP
Sector V, Saltlake, Kolkata-700091 West Bengal, India

🌐 www.24onlinebilling.com
✉ sales@24onlinebilling.com

☎ +91-9903453000 / +91-9903904349 +65-87474293, +65-87476618, +65-87431780



Distributor - APAC, Pacific Islands, Australia-NZ

141 Cecil Street, #08-07, Tung Ann
Association Building, Singapore 069541

🌐 www.globetek.co.in
✉ info@globetek.co.in

